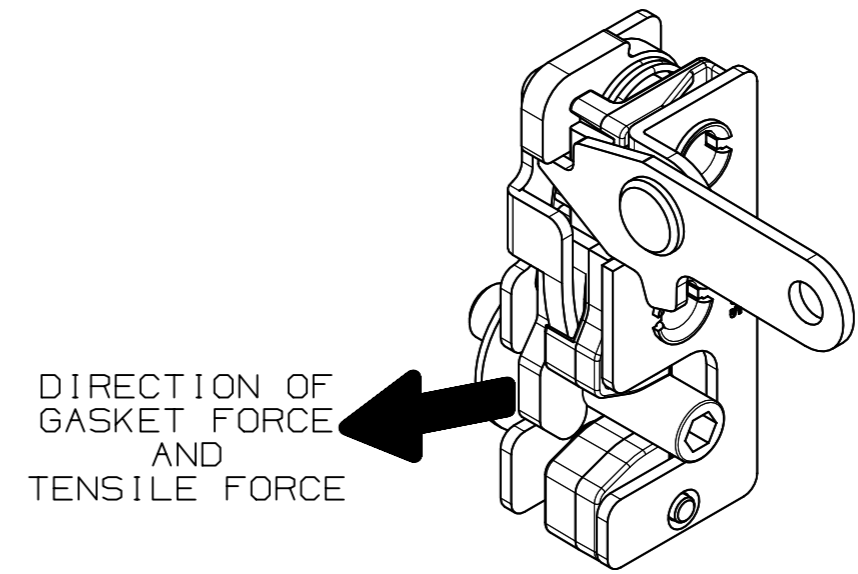
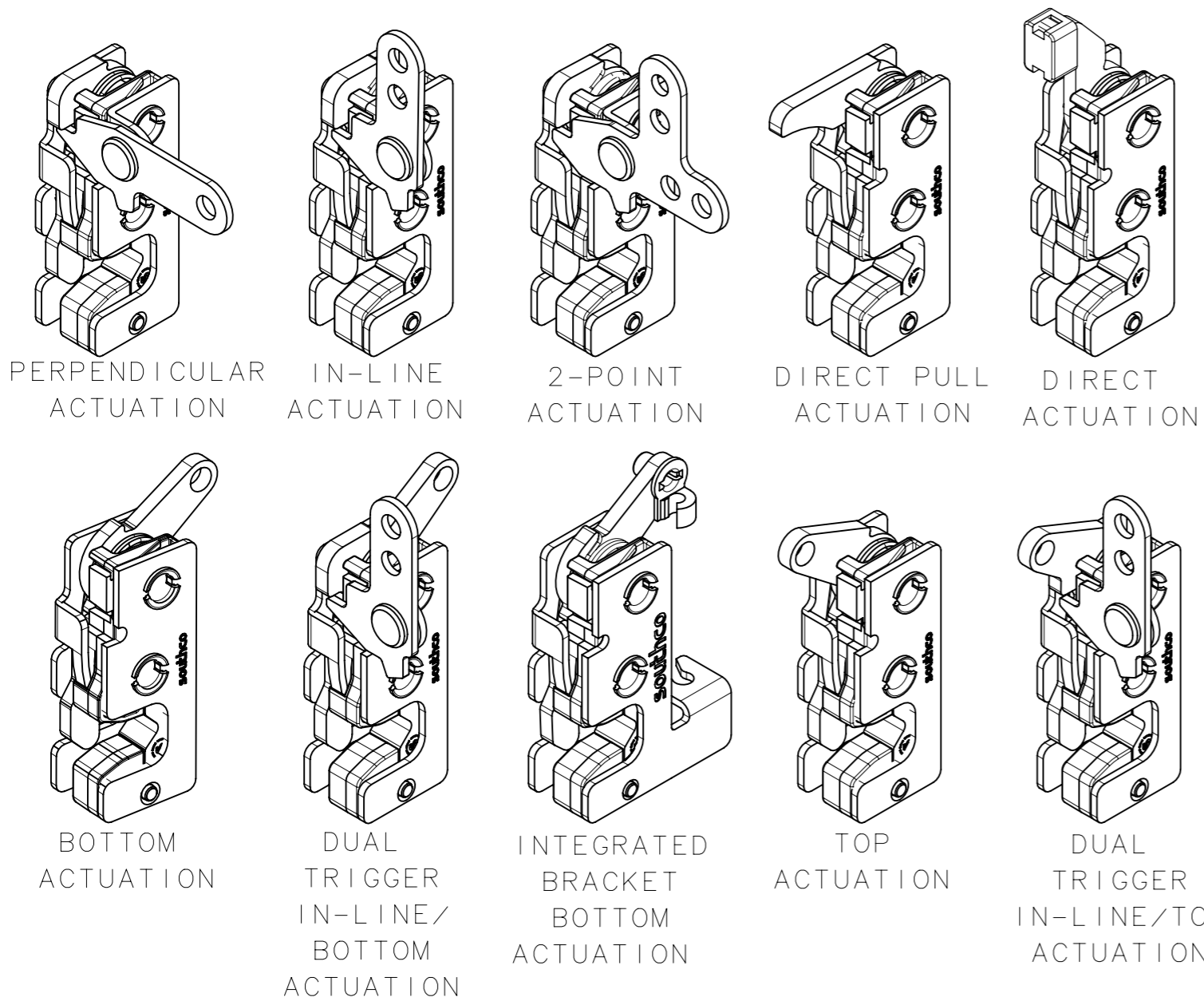


REVISION HISTORY			
REV	DATE	BY	DESCRIPTION
F	22JUN2017	JAD/DGJ	P2017-1498

SOUTHCO PERFORMANCE GUIDELINES  
 THE PERFORMANCE GUIDELINES SHOWN ON THIS PAGE ARE SUPPLIED AS A GENERAL GUIDE ONLY, AS CONDITIONS VARY WITH EACH APPLICATION AND METHOD OF INSTALLATION. STRENGTH DATA GIVEN IS FOR FAILURE OF THE PRODUCT OR FOR SUFFICIENT DEFORMATION TO MAKE THE PRODUCT INOPERABLE. NO SAFETY FACTOR HAS BEEN APPLIED. IT IS RECOMMENDED THAT THE USER REQUEST A PRODUCT SAMPLE FOR TESTING TO DETERMINE THE SUITABILITY OF THE PRODUCT FOR THE PURPOSE INTENDED AND USER'S PARTICULAR APPLICATION.



GASKET FORCE	CYCLE LIFE
100 N (22 LBF)	40,000
200 N (45 LBF)	40,000

- NOTES:
1. AVERAGE ULTIMATE TENSILE FORCE BEFORE FRACTURE OR STRIKER PULL-OUT:  
 SINGLE STAGE & DUAL STAGE, PRIMARY POSITION: 3600N  
 DUAL STAGE, SECONDARY POSITION: 600N
  2. CYCLE AND TENSILE TEST WERE PERFORMED WITH THE STRIKER AT THE NOMINAL LATERAL POSITION (ZERO MISALIGNMENT).
  3. MAXIMUM ALLOWABLE TORQUE ON THREADED MOUNTING SCREWS IS 550 N-cm.
  4. CYCLE TESTING CONDUCTED WITH STRIKER DIAMETER OF 9.0mm

REF: trR4-20145  
 trR4-22223  
 trR4-22682  
 trR4-24469  
 trR4-24972  
 trR4-26523

THIRD ANGLE PROJECTION		
MILLIMETERS [IN]		
TOLERANCES UNLESS OTHERWISE NOTED	DESCRIPTION	
ALL DIMENSIONS WITHOUT TOLERANCES ARE FOR REFERENCE ONLY.	TEST DATA SHEET R4-10 MINI ROTARY LATCH	
PROPRIETARY ITEM <small>EXCEPT FOR USES EXPRESSLY GRANTED IN WRITING, INFORMATION DISCLOSED HEREON IS CONFIDENTIAL AND ALL RIGHTS, PATENT AND OTHERWISE, ARE RESERVED BY SOUTHCO, INC.</small>	SIZE A3	SYSTEM NX
PER ASME Y14.5M-1994	DWG NO. TD-R4-1-5-J	DATE 02MAR2015
	DRAWN BY DGJ/JDS	SCALE NTS
		SHEET 1 OF 1