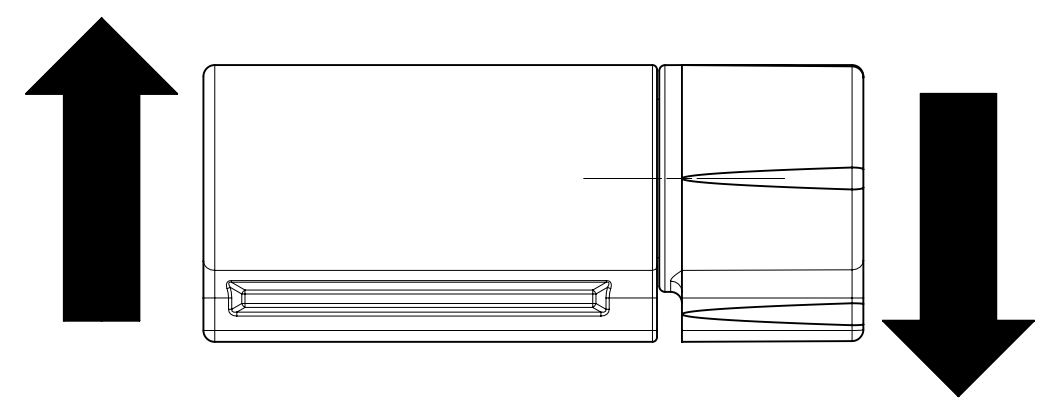
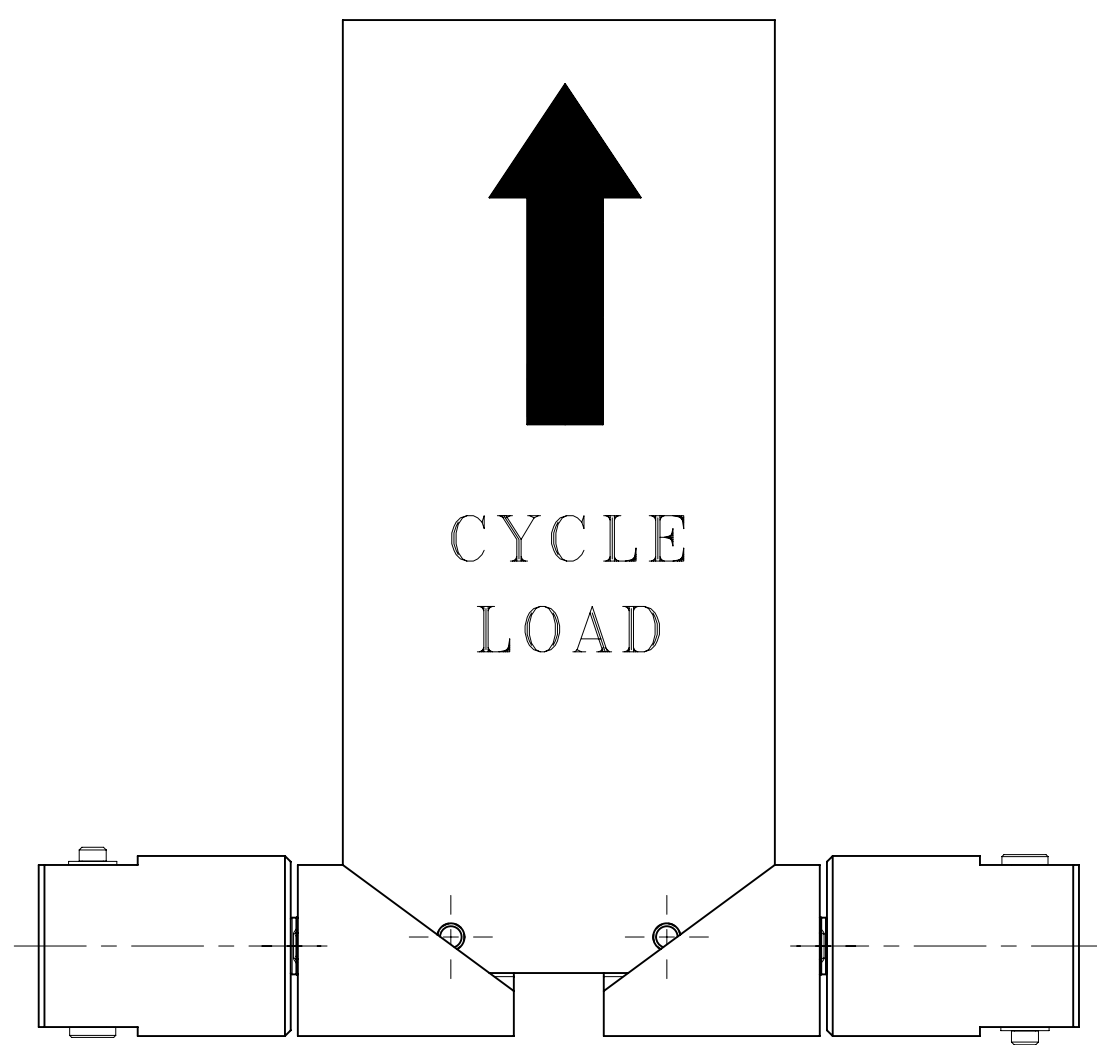


REVISION HISTORY			
REV	DATE	BY	DESCRIPTION
B	09NOV2020	JJT/CDW	PRN: P2020-2103

SOUTHCO PERFORMANCE GUIDELINES:
 THE PERFORMANCE GUIDELINES SHOWN ON THIS PAGE ARE SUPPLIED AS A
 GENERAL GUIDE ONLY, AS CONDITIONS VARY WITH EACH APPLICATION AND METHOD
 OF INSTALLATION, STRENGTH DATA GIVEN IS FOR FAILURE OF THE PRODUCT OR
 FOR SUFFICIENT DEFORMATION TO MAKE THE PRODUCT INOPERABLE. NO SAFETY FACTOR
 HAS BEEN APPLIED IT IS RECOMMENDED THAT THE USER REQUEST A PRODUCT SAMPLE
 FOR TESTING TO DETERMINE THE SUITABILITY OF THE PRODUCT FOR THE PURPOSE INTENDED
 AND USER'S PARTICULAR APPLICATION.



RADIAL
LOAD

PART NUMBER	RADIAL LOAD N (lbf)	STATIC TORQUE		CYCLE LIFE	
		FORWARD TORQUE Nm (in-lbf)	REVERSE TORQUE Nm (in-lbf)		
ST-10P-140S-33	334 (75)	1.58 (14)		20,000	
ST-10P-100S-33		1.13 (10)			
ST-10P-080S-33		0.90 (8)			
ST-10P-040S-33		0.45 (4)			
ST-10P-200F-33		2.26 (20)	1.58 (14) REF		
ST-10P-160F-33		1.81 (16)	1.27 (11.2) REF		
ST-10P-120F-33		1.36 (12)	0.95 (8.4) REF		
ST-10P-080F-33		0.90 (8)	0.63 (5.6) REF		
ST-10P-040F-33		0.45 (4)	0.32 (2.8) REF		
ST-10P-200R-33		1.58 (14) REF	2.26 (20)		
ST-10P-160R-33		1.27 (11.2) REF	1.81 (16)		
ST-10P-120R-33		0.95 (8.4) REF	1.36 (12)		
ST-10P-080R-33		0.63 (5.6) REF	0.90 (8)		
ST-10P-040R-33		0.32 (2.8) REF	0.45 (4)		

- NOTES:
- ONE CYCLE = CLOSED POSITION TO OPEN POSITION AT 180° PLUS RETURN TO INITIAL CLOSED POSITION.
 - CYCLE TESTING CONDUCTED AT AMBIENT.
 - RADIAL LOADS APPLIED ONE TIME TO HINGE WITHOUT DEGRADATION OF PERFORMANCE.
 - FOR TEST REPORTS SEE trST-40175.

CPB NUMBER 2019-0401	THIRD ANGLE PROJECTION		 CONNECT • CREATE • INNOVATE	
	MILLIMETERS [IN]			
	TOLERANCES UNLESS OTHERWISE NOTED		DESCRIPTION HINGE & CONTROLLED MOTION DEVICE	
	ALL DIMENSIONS WITHOUT TOLERANCES ARE FOR REFERENCE ONLY.		SIZE A3	SYSTEM NX
PROPRIETARY ITEM EXCEPT FOR USES EXPRESSLY GRANTED IN WRITING, INFORMATION DISCLOSED HEREON IS CONFIDENTIAL AND ALL RIGHTS, PATENT AND OTHERWISE, ARE RESERVED BY SOUTHCO, INC.	PER ASME Y14.5M-1994	DRAWN BY JJT	DATE 20JUL2020	DWG NO. TD-ST-10P-200
		SCALE 1:1	SHEET 1 OF 1	